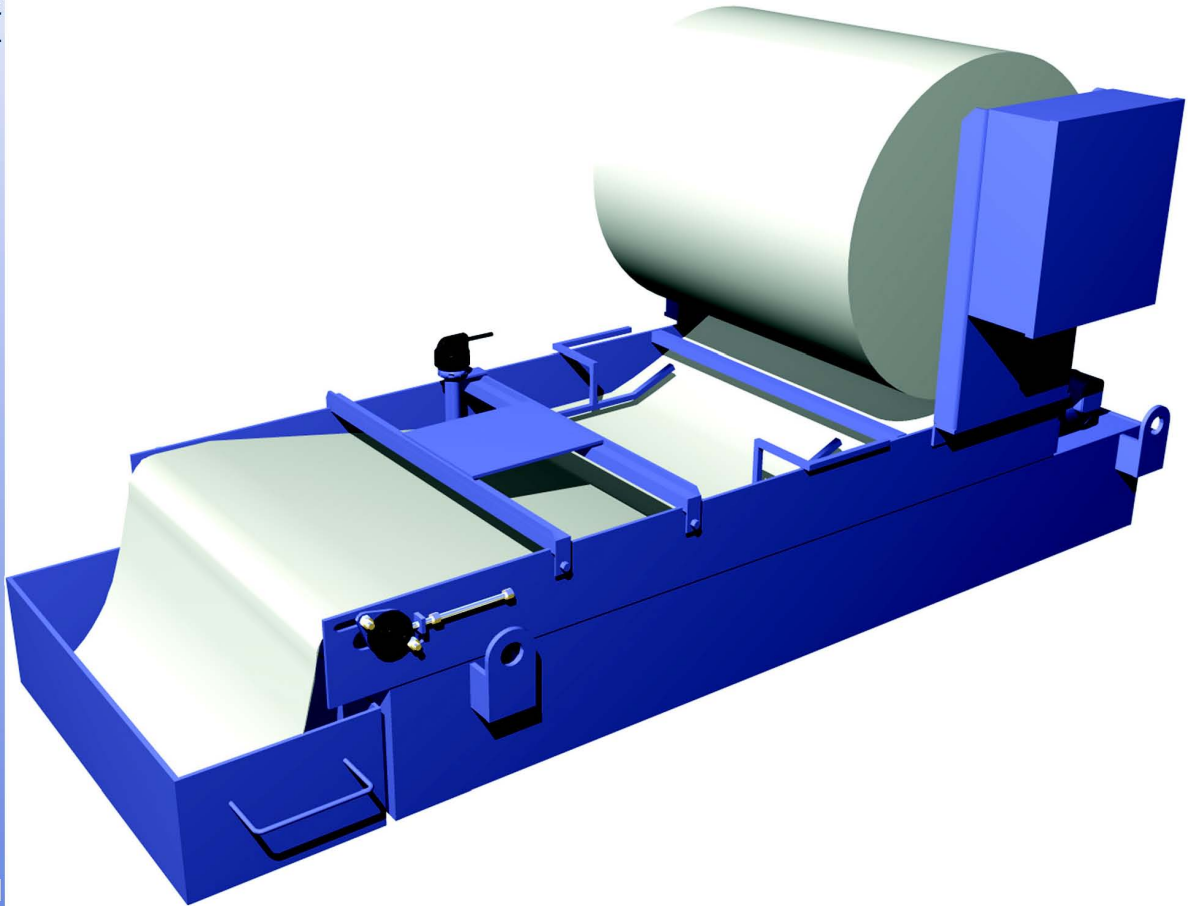


MODEL PBL5 AUTOMATIC FILTRATION SYSTEM



When inlet height and finer filtration is required, the PBL5 is your answer.

The Flow Pro PBL5 Paper Bed Filter is designed for all your liquid filtration needs. The rugged steel construction allows years of dependability and superior filtration.

The PBL5 features a flat wire center belt connected to woven wire edges, allowing smooth movement and even indexes.

Applications

- ▶ Machine Tool Coolants from Grinders
- ▶ Tube Mills and Saws
- ▶ Hones
- ▶ Zinc Phosphating Solutions
- ▶ Tower Water
- ▶ Plating Waste
- ▶ Parts Washers
- ▶ Paint Spray Booth Water
- ▶ Tower Water

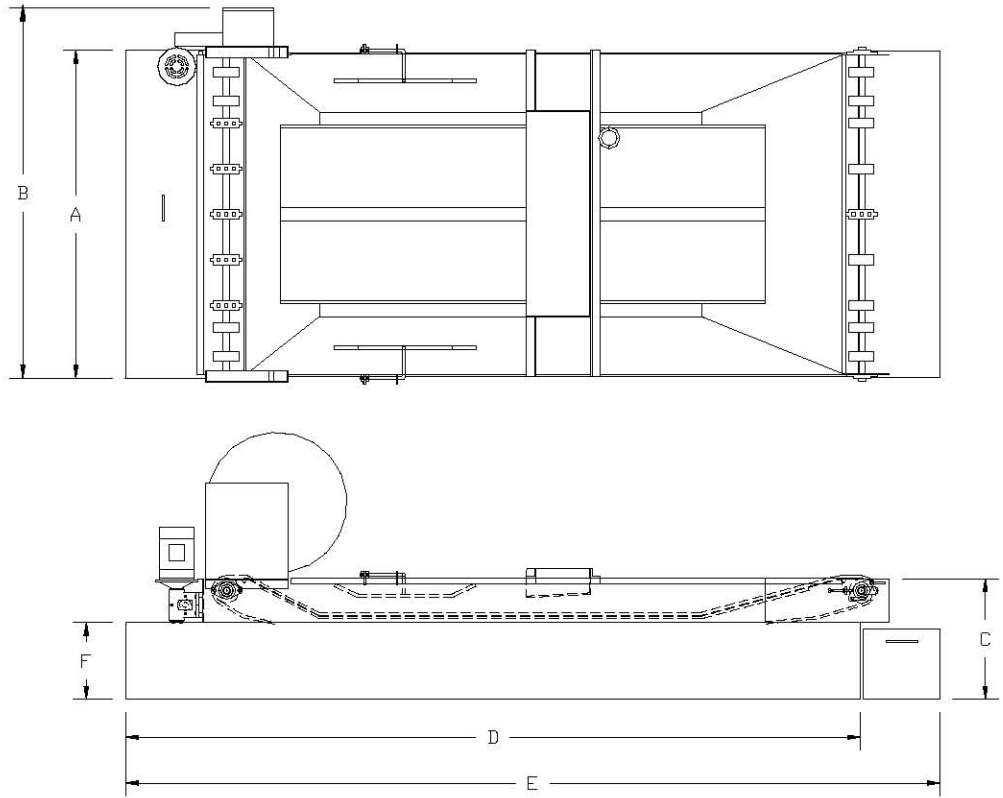
Phone: (815) 836-1900 Fax: (815) 836-1901
20648 W. GASKIN DRIVE LOCKPORT, IL 60441

FLOW PRO
PRODUCTS, INC.

FLOW PRO
PRODUCTS, INC.



MODEL PBL5 AUTOMATIC FILTRATION SYSTEM



| MODEL | Filter Area (sq. ft.) | *Flow Rate (GPM) | Media Width | A | B | C | D | E | F |
|----------|-----------------------|------------------|-------------|-------|----|-------|-----|-----|----|
| PBL5-6.5 | 6.5 | 12-20 | 24" | 27.25 | 34 | 14.50 | 67 | 80 | 9 |
| PBL5-10 | 10 | 20-30 | 36" | 39.25 | 48 | 15.87 | 67 | 80 | 9 |
| PBL5-15 | 15 | 30-40 | 36" | 39.25 | 48 | 15.87 | 91 | 104 | 9 |
| PBL5-18 | 18 | 40-50 | 36" | 39.25 | 48 | 15.87 | 103 | 116 | 9 |
| PBL5-20 | 20 | 50-60 | 48" | 51.25 | 60 | 15.87 | 91 | 104 | 9 |
| PBL5-24 | 24 | 50-72 | 48" | 51.25 | 60 | 15.87 | 103 | 116 | 9 |
| PBL5-28 | 28 | 60-90 | 48" | 51.25 | 60 | 18.87 | 115 | 128 | 12 |
| PBL5-38 | 38 | 70-130 | 48" | 51.25 | 60 | 18.87 | 144 | 157 | 12 |
| PBL5-50 | 50 | 120-200 | 48" | 51.25 | 60 | 18.87 | 180 | 193 | 12 |

* Flow rates are based on water based coolant applications. Flow rate on the oil applications are reduced by 50%.

Phone: (815) 836-1900 Fax: (815) 836-1901
20648 W. GASKIN DRIVE LOCKPORT, IL 60441

FLOW PRO
PRODUCTS, INC.

FLOW PRO
PRODUCTS, INC.